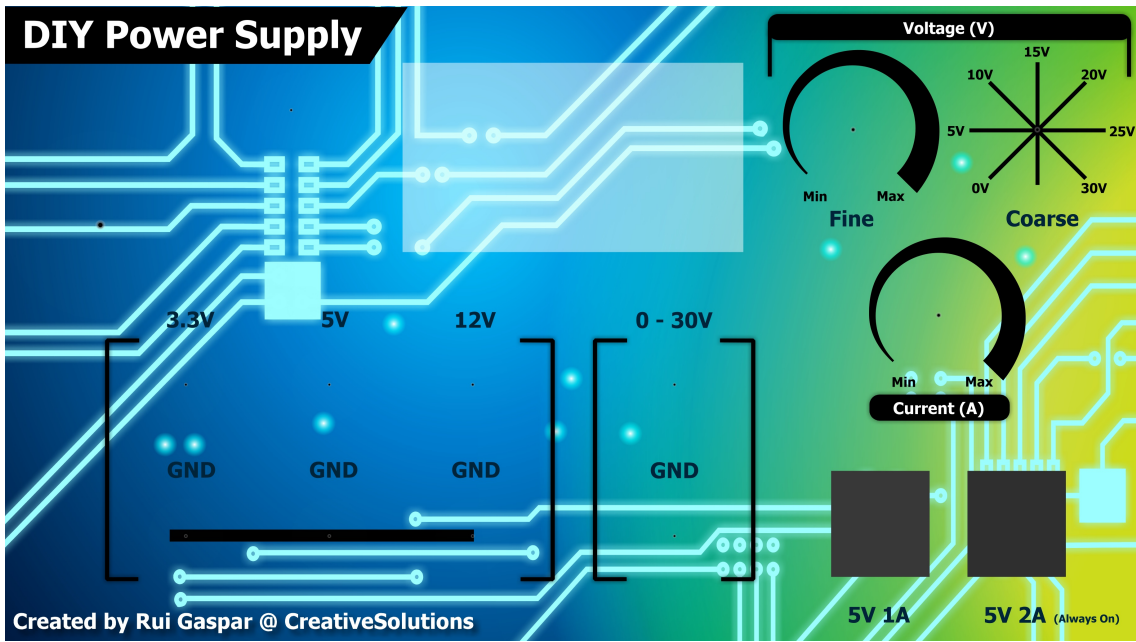


DIY Power Supply



Created by Rui Gaspar @ CreativeSolutions